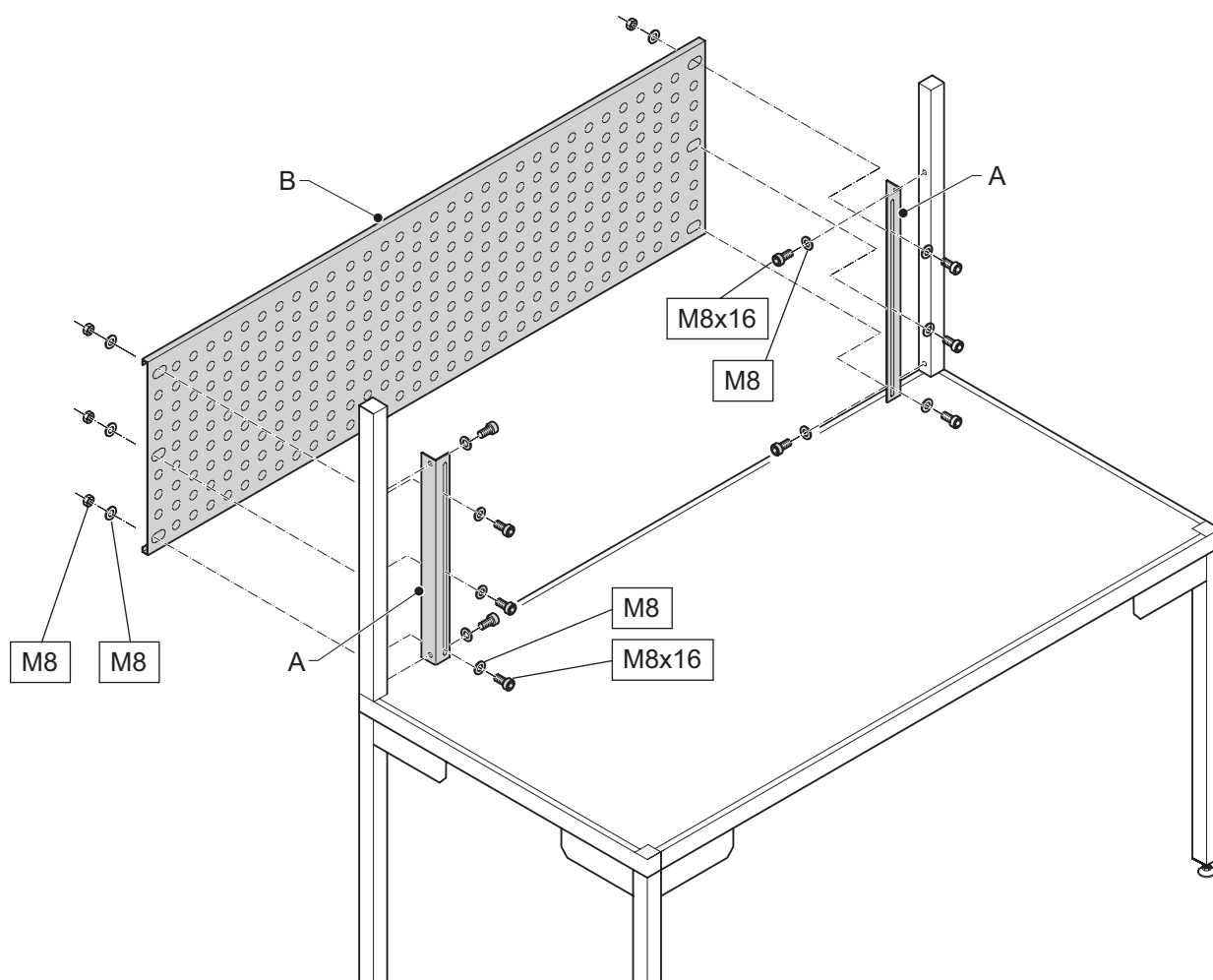
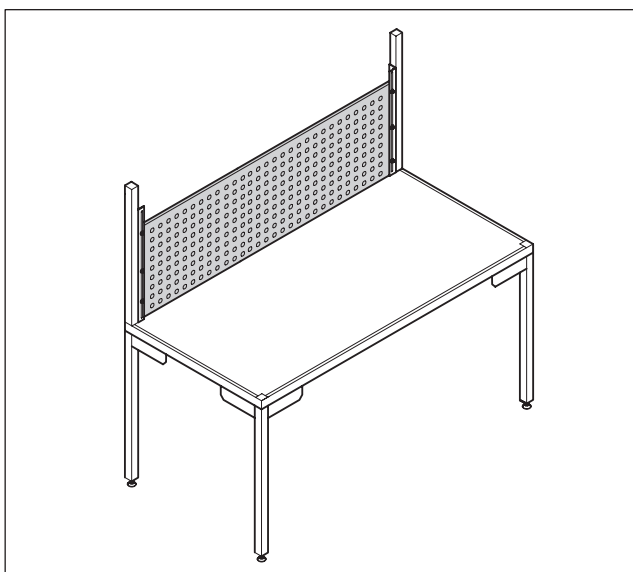


## Perforated back wall



- |       |  |
|-------|--|
| A. 2x |  M8x16: 10x |
| B. 1x |  M8: 16x    |
|       |  M8: 6x     |

