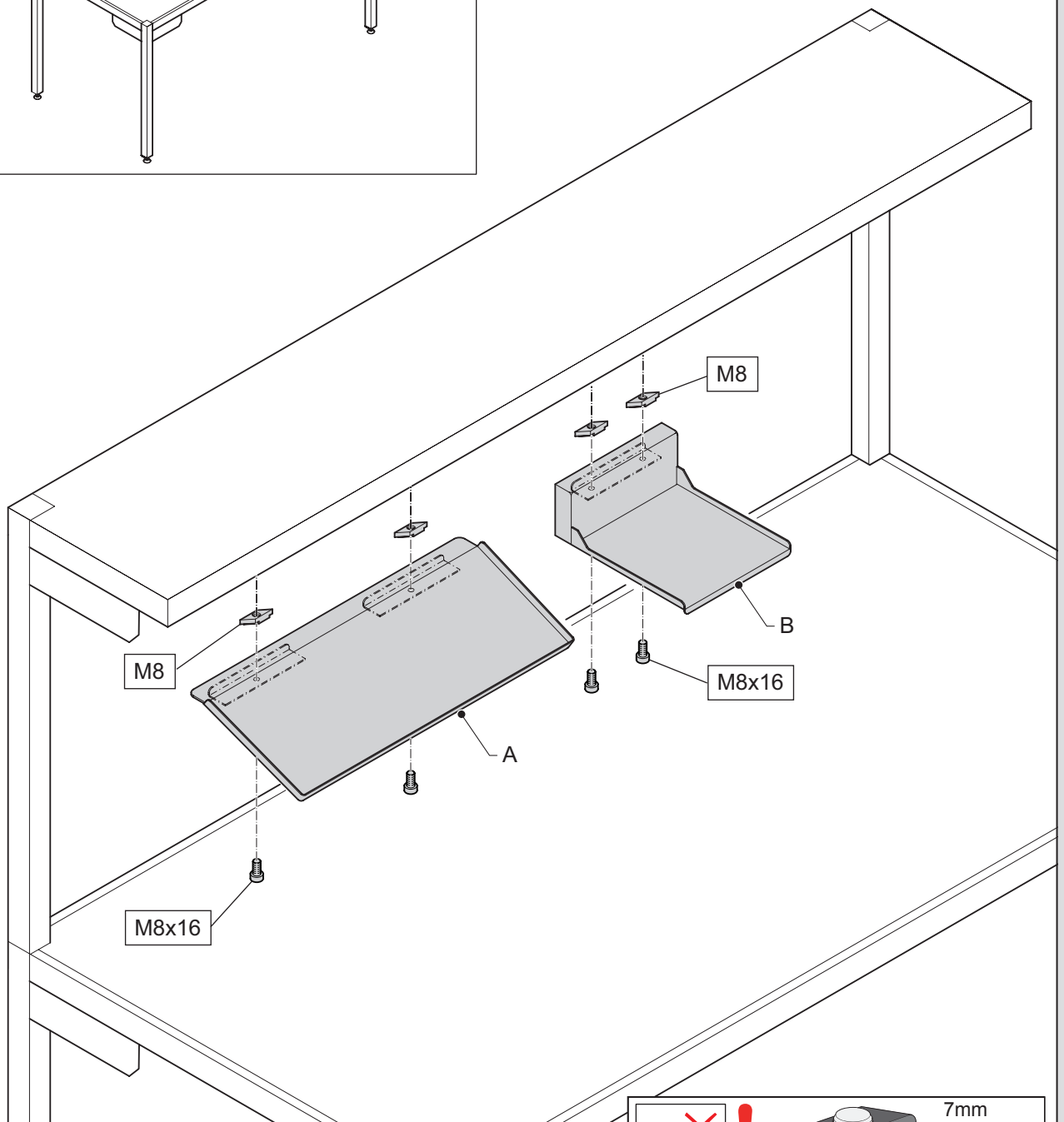
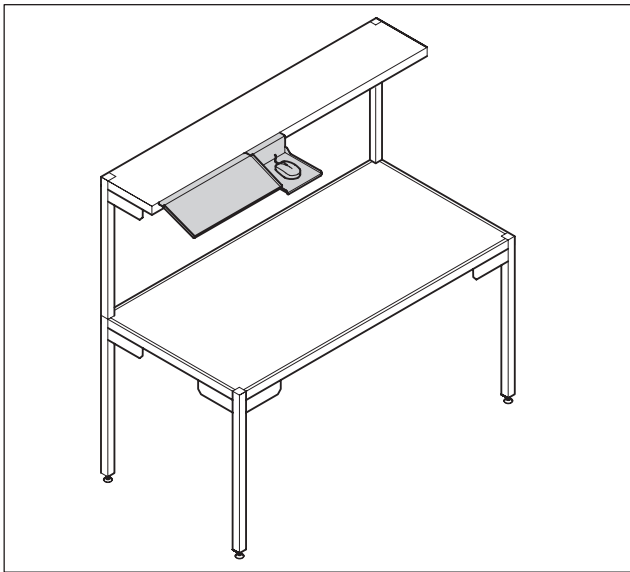



Keyboard - Mouse holder



- A. 1x
- B. 1x

 M8x16: 4x

