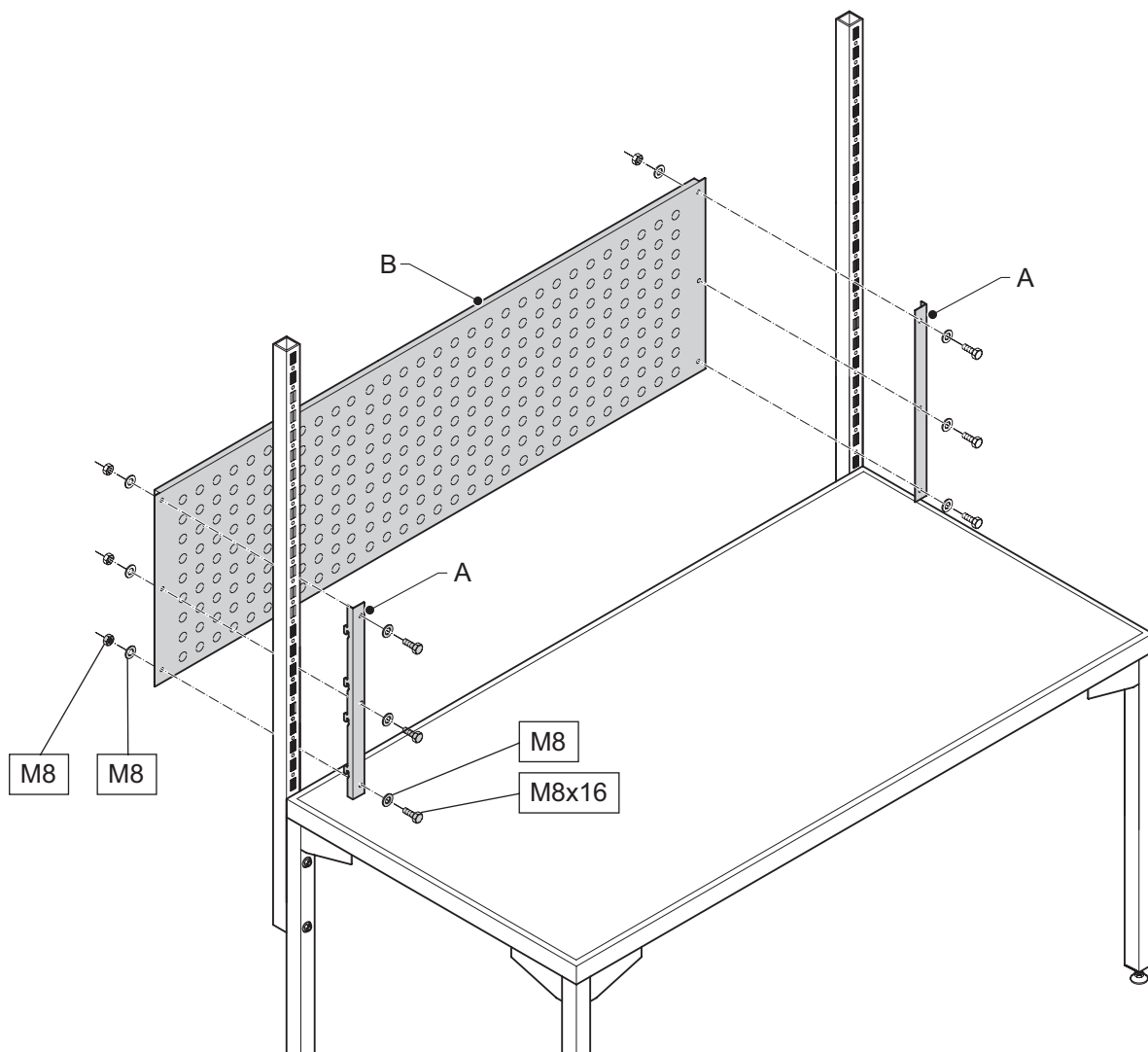
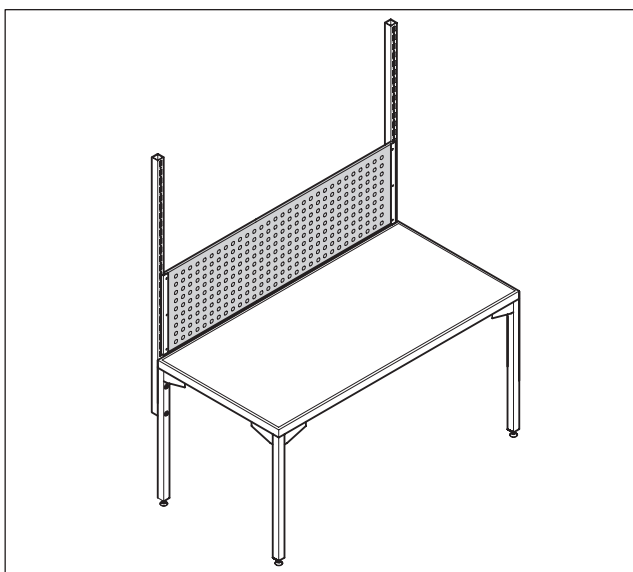


Perforated back wall



- | | |
|-------|---|
| A. 2x |  M8x16: 6x |
| B. 1x |  M8: 12x |
| |  M8: 6x |

