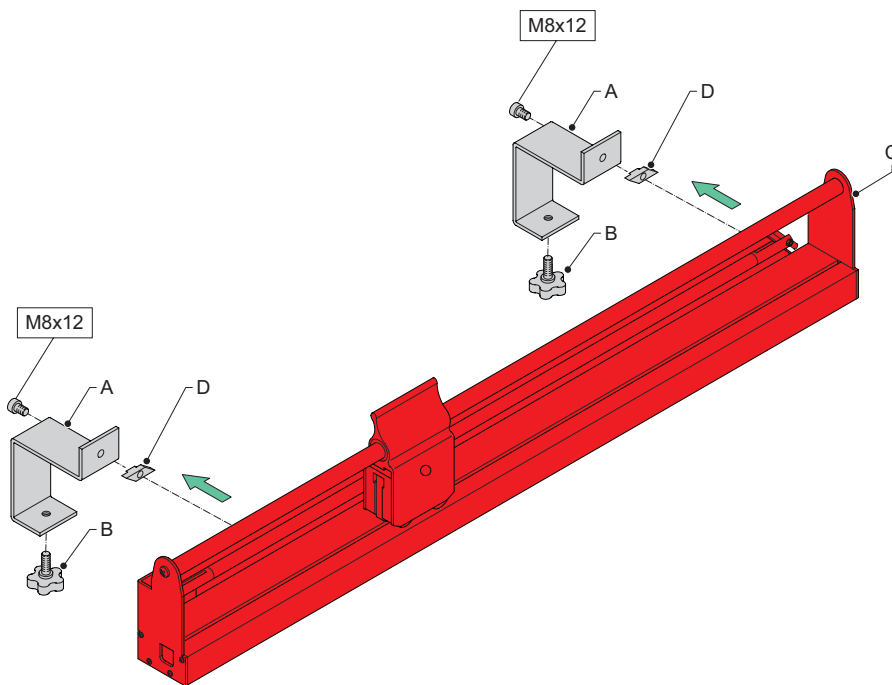
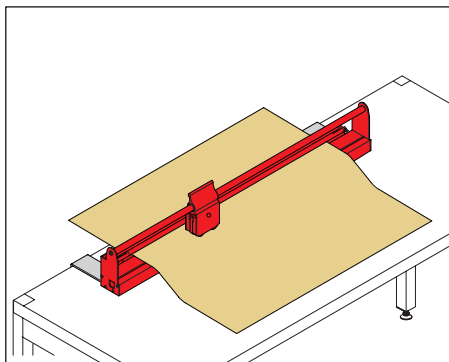



# CUTTING-SYSTEMS



- A. 2x
- B. 2x
- C. 1x
- D. 2x

 M8x12: 2x

# CUTTING-SYSTEMS

# LEGRO®

WORKPLACE SOLUTIONS

